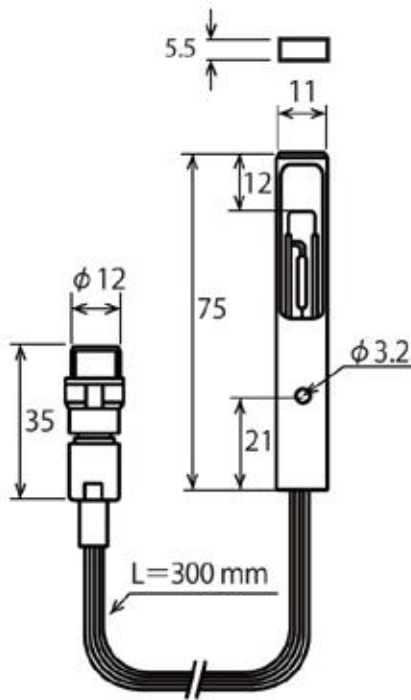


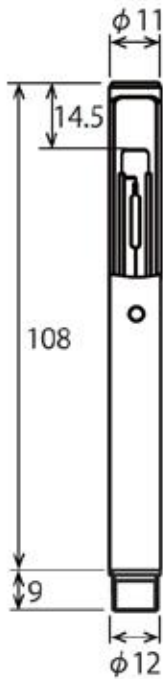


Engineering Drawings: Multi-channel & Airflow Transducer Probes

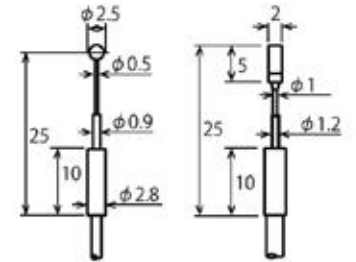
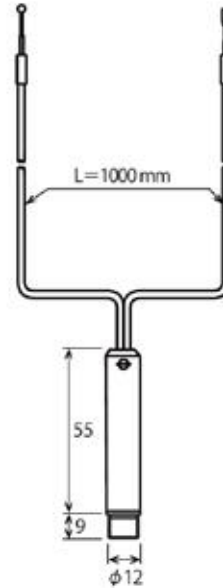
Units given in millimeters



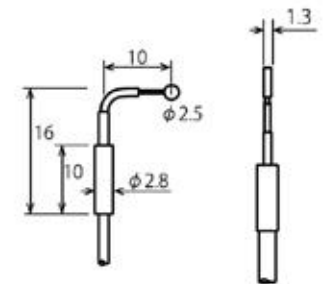
0962-00



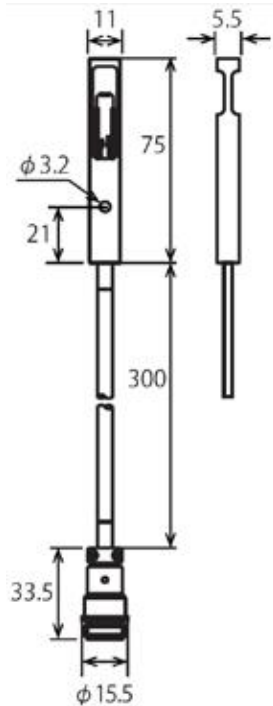
0963-00



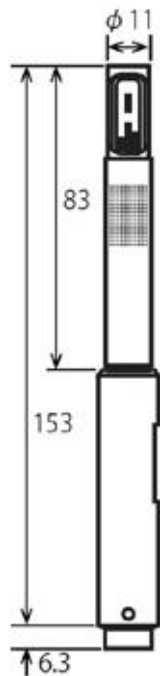
0965-07



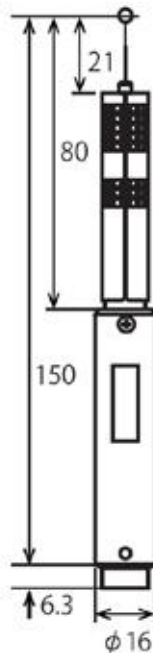
0965-08



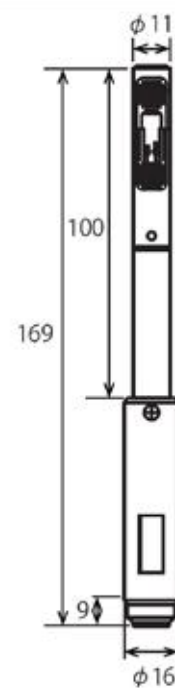
0962-21



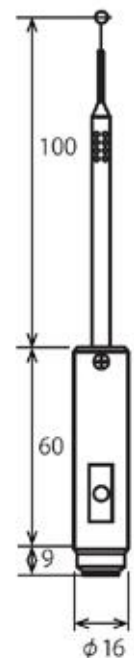
0963-31



0965-31

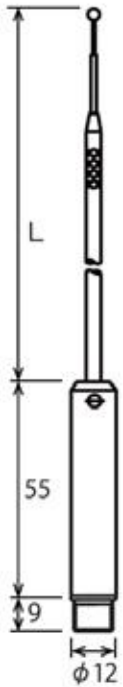


0963-21



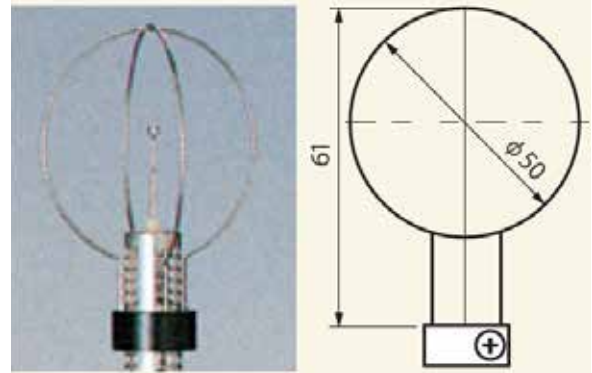
0965-21

2 Engineering Drawings: Multi-channel & Airflow Transducer Probes

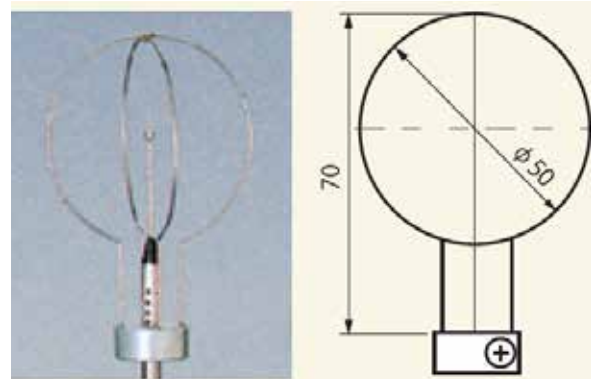


- 0965-00 (L=100 mm)
- 0965-01 (L=100 mm)
- 0965-09 (L=100 mm)
- 0965-10 (L=410 mm)

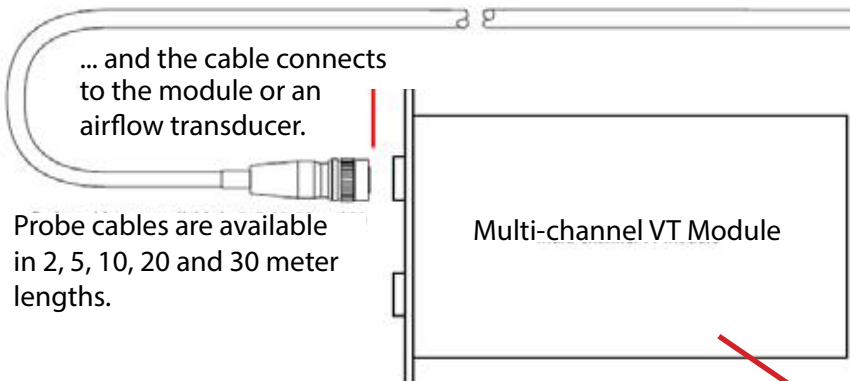
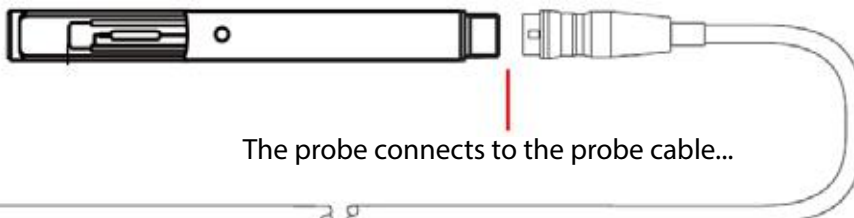
Probe Ring Guards:
Protect sensitive probes from damage



6521-30



1500-03



Probe cables are available in 2, 5, 10, 20 and 30 meter lengths.



Back of 1560, showing a system with several different types of modules installed. Module selection must match the # and types of probes you wish to use.

About Kanomax USA, Inc.

Kanomax has delivered the best measurement solutions in its products and services that adapt precision measurement technology for fluids and particles. Kanomax product lines include anemometers, particle counters, dust monitors, and IAQ monitors. Kanomax is contributing to technological innovation and quality improvement for the processes of quality management, environment management, and technology development in the areas of environment, health, and energy, which are essential to sustain human well-being, as well as in other industrial areas including automobile, aerospace, semiconductor, electronics manufacture, heavy industry, steel, shipbuilding, pharmaceutical, biotechnology, food-processing, medical, construction, and civil engineering.



Kanomax USA, Inc.

P.O. Box 372
219 US Hwy 206, Andover, NJ 07821 USA
TEL: 800-247-8887 (USA) * 973-786-6386
FAX: 973-786-7586
E-mail: info@kanomax-usa.com
URL: www.kanomax-usa.com