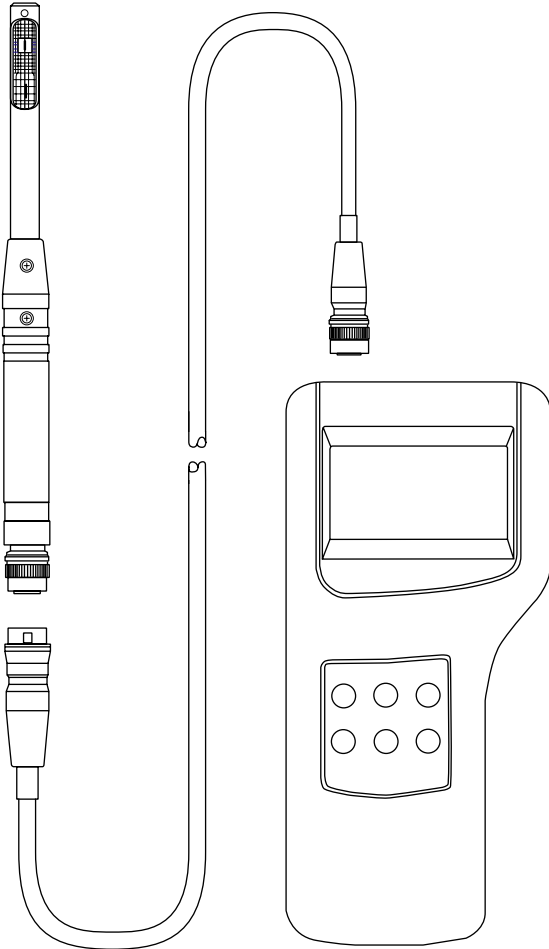


Engineering Drawings for Climomaster, Extension Rods and Probes

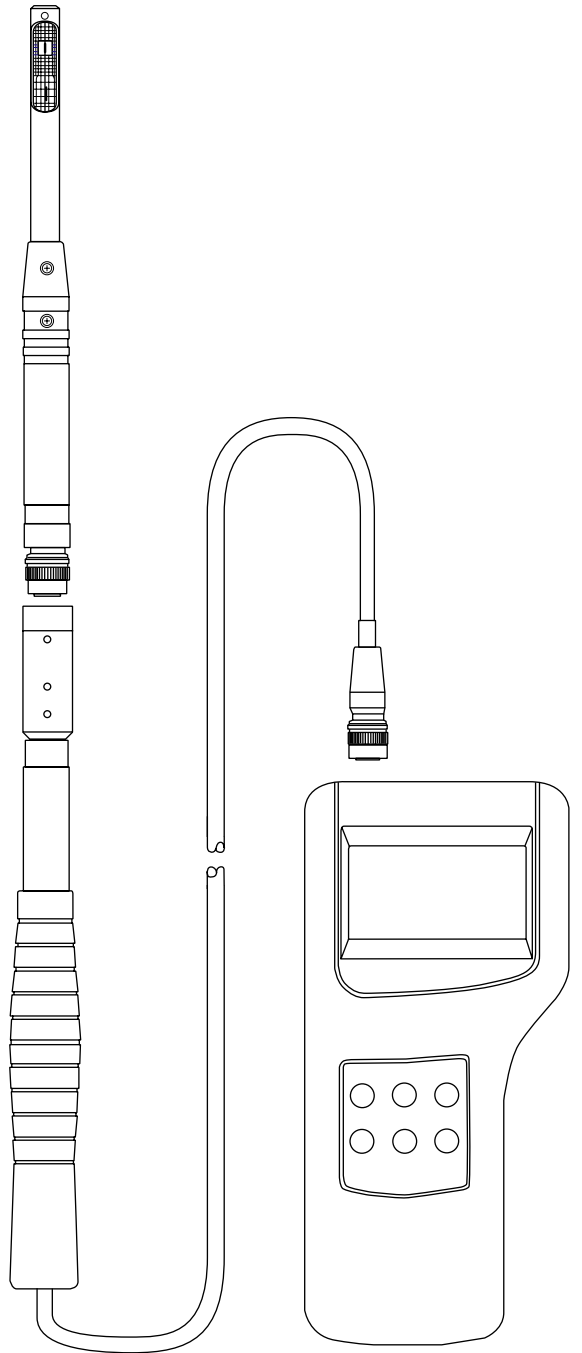


KANOMAX
The Ultimate Measurements

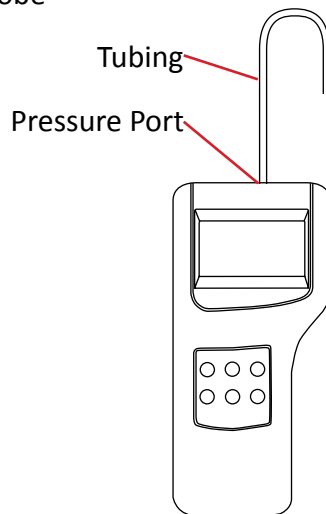
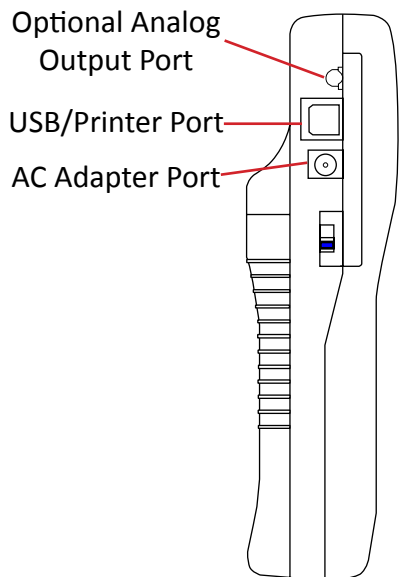
Units given in millimeters



Climomaster shown with cable and a uni-directional probe



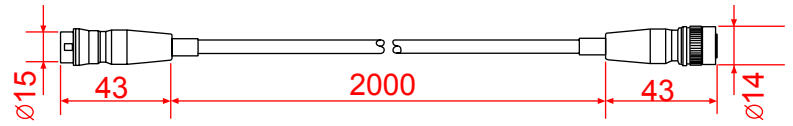
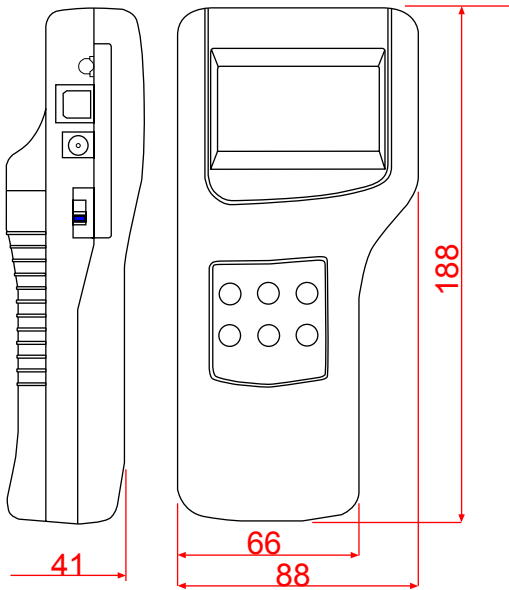
Climomaster, extension rod and a uni-directional probe



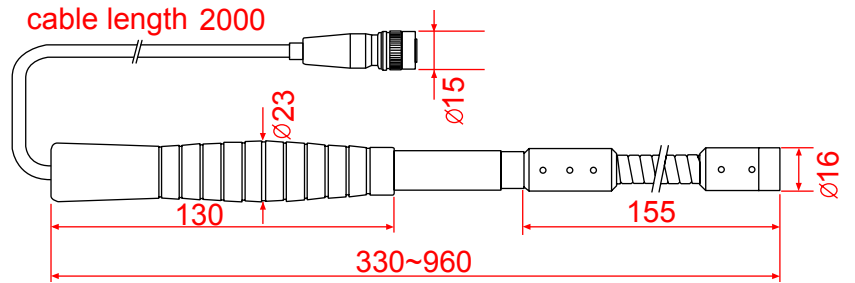
Shown with optional differential pressure port and tubing

Main Body, Cables and Extension Rods

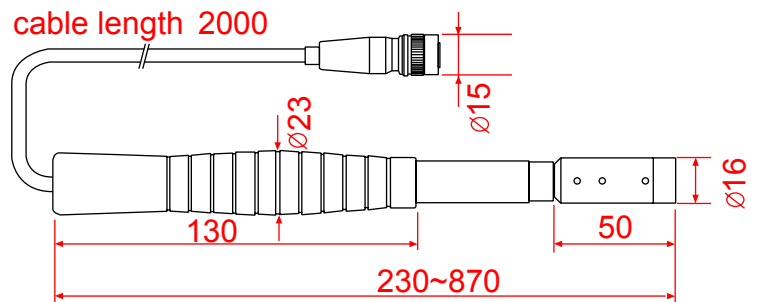
Units given in millimeters



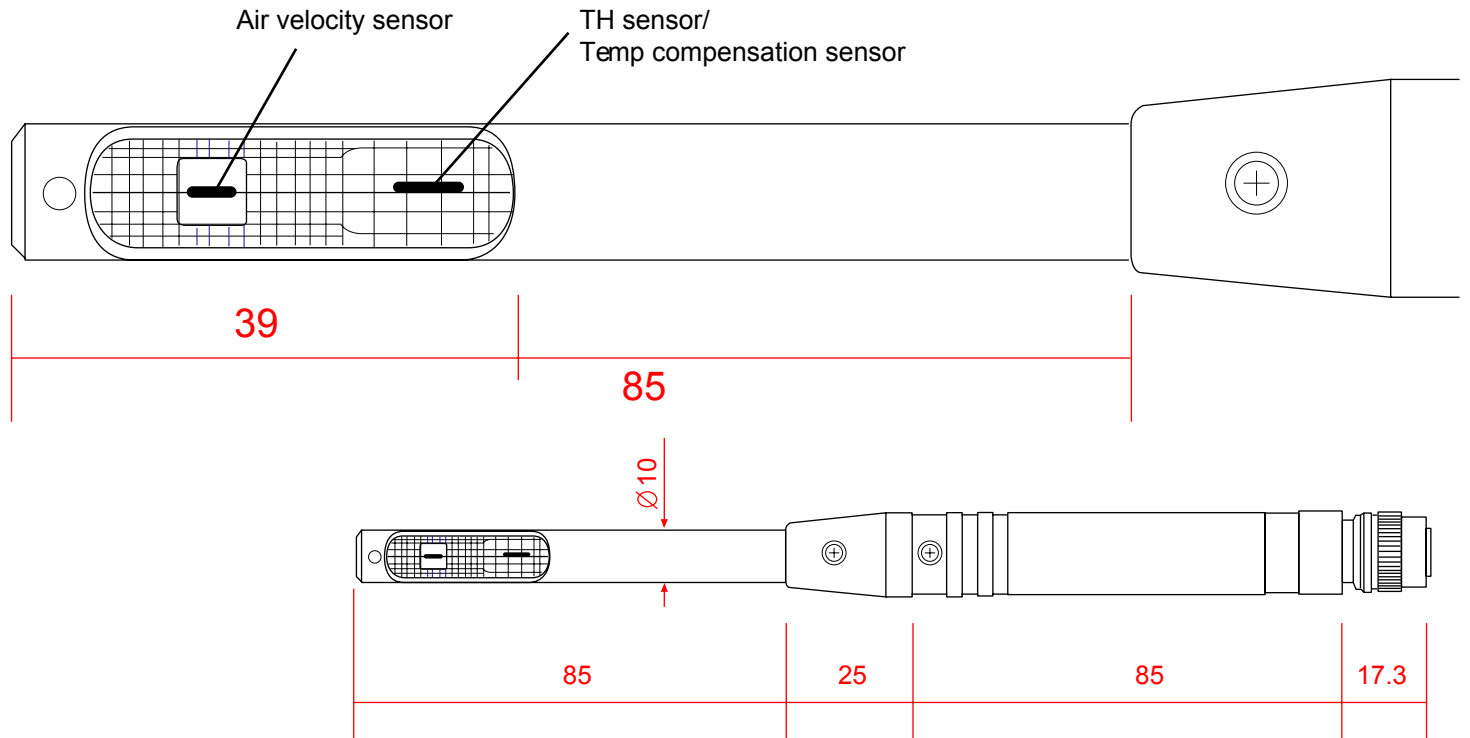
Flex Neck Extension Rod (Model 6531-04)



Straight Extension Rod (Model 6531-05)



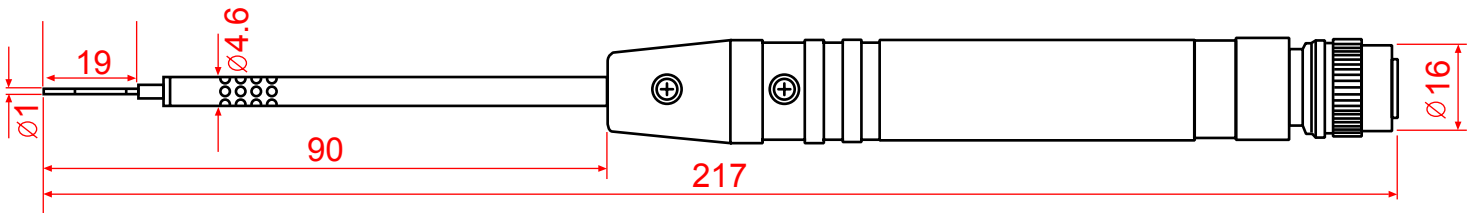
Uni-Directional Probe Dimensions
(model 6531-2G, 6541-2G & 6561-2G)



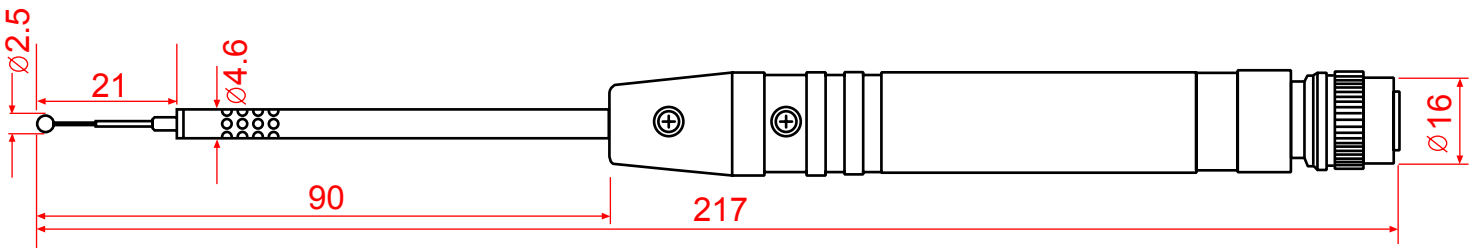
Omni Directional Probe Dimensions

Units given in millimeters

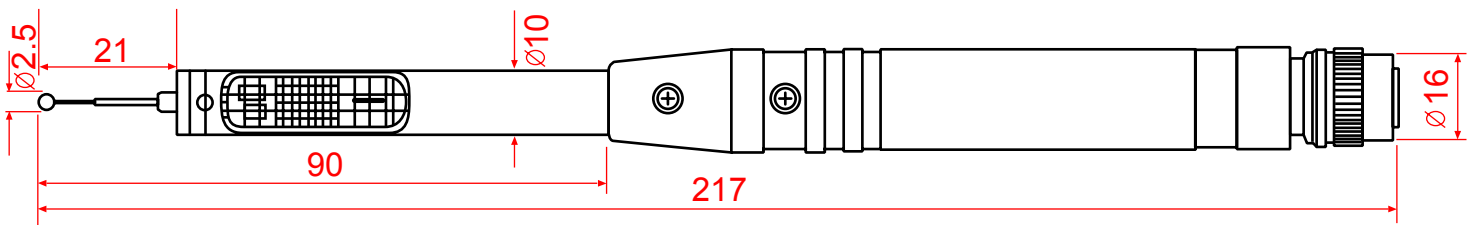
Model 6542-2G



Model 6543-2G



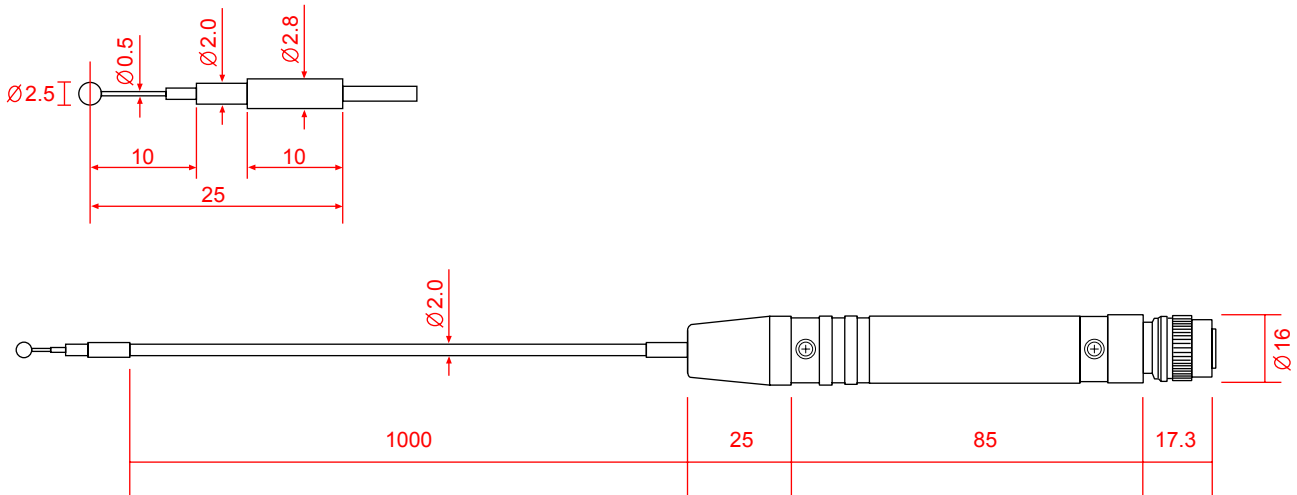
Model 6533-2G



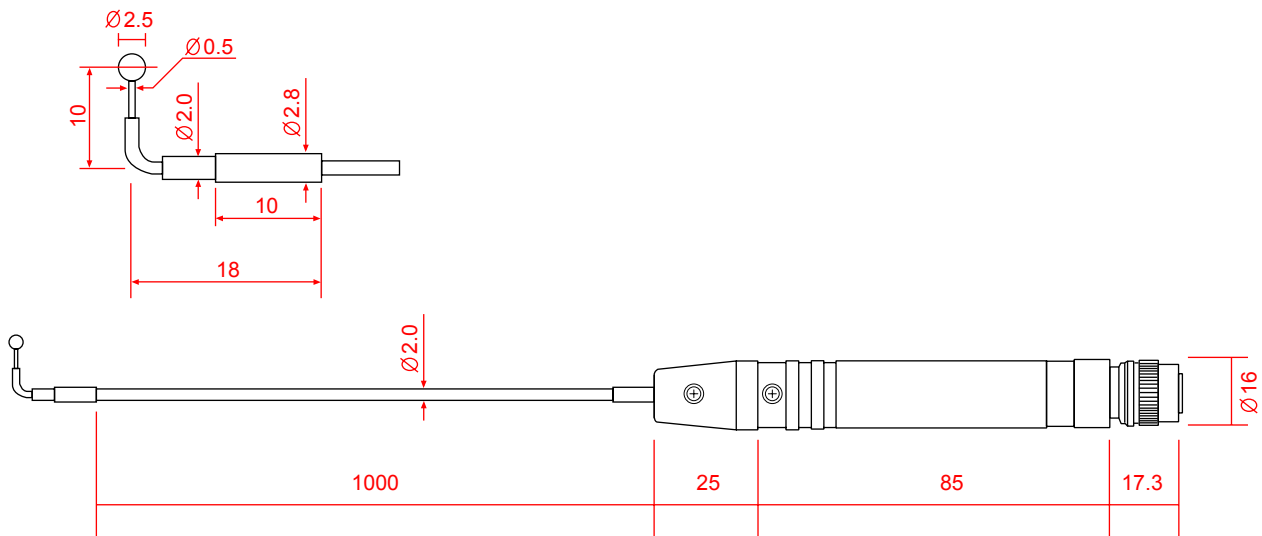
Miniature Probe Dimensions

Units given in millimeters

Model 6551-2G



Model 6552-2G



About Kanomax USA, Inc.

Kanomax has delivered the best measurement solutions in its products and services that adapt precision measurement technology for fluids and particles. Kanomax product lines include anemometers, particle counters, dust monitors, and IAQ monitors. Kanomax is contributing to technological innovation and quality improvement for the processes of quality management, environment management, and technology development in the areas of environment, health, and energy, which are essential to sustain human well-being, as well as in other industrial areas including automobile, aerospace, semiconductor, electronics manufacture, heavy industry, steel, shipbuilding, pharmaceutical, biotechnology, food-processing, medical, construction, and civil engineering.



Kanomax USA, Inc.

P.O. Box 372
 219 US Hwy 206, Andover, NJ 07821 USA
 TEL: 800-247-8887 (USA) * 973-786-6386
 FAX: 973-786-7586
 E-mail: info@kanomax-usa.com
 URL: www.kanomax-usa.com